



**BUREAU OF CORRECTIONS
DAVAO PRISON AND PENAL FARM**

Braulio E. Dujali, Davao del Norte, 8106



REQUEST FOR QUOTATION

RFQ No.: 2025-04-033
Date : _____

Name of Company/Shop/Store : _____
Name of Authorized Representative : _____
Contact Number : _____

1. The BuCor-Davao Prison and Penal Farm (DPPF) through its Bids and Awards Committee (BAC) invites interested bidders to submit a quotation/proposal with the Approved Budget for the Contract (ABC) in the amount of **PHILIPPINE PESO TWO HUNDRED SIXTY-TWO THOUSAND ONE HUNDRED SIXTY-FIVE ONLY (PHP 262,165.00)** inclusive of applicable tax for the procurement of the item below:

PR Number	Item Description
2025-04-0051	PROCUREMENT OF VARIOUS POWER TOOLS AND HAND TOOLS FOR MAINTENANCE AND REPAIR ACTIVITY OF GENERAL SERVICES SECTION

2. Procurement shall be conducted through **Small Value Procurement** under Section 53.9 - Negotiated Procurement as prescribed under Rule XVI- Alternative Methods of Procurement of 2016 Revised Implementing Rules and Regulations (IRR) of Republic Act (R.A.) No. 9184, otherwise known as the “Government Procurement Reform Act”.
3. The quotation must be duly signed by the bidder and must be submitted at the **BAC Office, Administrative Building, Davao Prison and Penal Farm, B.E Dujali, Davao del Norte** or by email at dppfbac@bucor.gov.ph. **The quotations shall be received not later than MAY 08, 2025 @ 3:00 PM.**
4. The bidder must **submit a copy** of the following documents, **together with the proposal**, to ensure that the said bidder is technically, legally, and financially capable to undertake the proposed project:
- Valid and current Mayor’s/Business Permit;
 - PhilGEPS Registration Number to be indicated in RFQ Form;
 - Duly Notarized Omnibus Sworn Statement (for ABC above 50,000.00)
 - Valid and Current Income Business Tax Return (for ABC above 500,000.00)
5. DPPF reserves the right to waive any formality in the responses to the eligibility requirements and to this invitation. DPPF further reserves the right to reject all proposals, or declare a failure of small value procurement, or not award the contract, and makes no assurance that the contract shall be entered into as a result of this invitation without thereby incurring any liability to the affected bidder or bidders in accordance with R.A. No. 9184 and its Implementing Rules and Regulations.
6. For any clarification, you may contact *Ms Julie Joy B Divinagracia, Head, BAC Secretariat* at telephone no. **0917-102-9495** or email at dppfbac@bucor.gov.ph.


CSUPT DIVINA S CAMIÑA
BAC Chairperson

TERMS AND CONDITIONS

1. Bidders shall provide the **correct and accurate information** required in this form.
2. Use of this RFQ is mandatory. Additional attachments for products/items specifications are encourage.
3. Price proposal must be valid for the period of **thirty (30) calendar days** from the date of submission.
4. Price proposal to be denominated in **Philippine Peso (PhP)**, include all taxes and duties and/or levies payable.
5. Proposals exceeding the ABC per lot shall be automatically rejected.
6. The **award of the contract** shall be made to the lowest calculated and responsive proposal per lot, which complies with the minimum technical specifications and other terms and conditions stated herein.
7. Any interlineations, erasures, or overwriting shall be valid only if they are signed or initiated by the bidder or any of his/her duly authorized representative/s.
8. Liquidated damages equivalent to one-tenth of one percent (0.001%) of the value of the goods not delivered within the prescribed delivery period shall be imposed per day of delay. DPPF shall rescind the contract once the cumulative amount of liquidated damages reaches ten percent (10%) of the amount of the contract, without prejudice to other courses of action and remedies open.





**BUREAU OF CORRECTIONS
 DAVAO PRISON AND PENAL FARM**
 Braulio E. Dujali, Davao del Norte, 8106



RFQ FORM

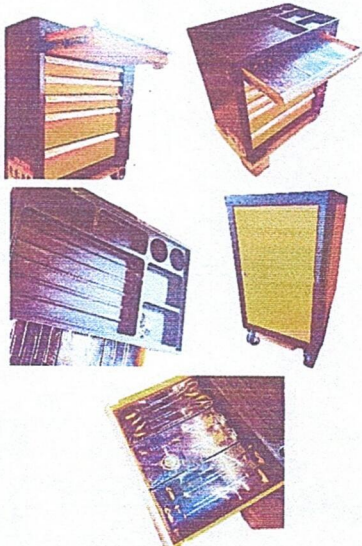
Date: _____

The Bids and Awards Committee
DAVAO PRISON AND PENAL FARM
 Braulio E. Dujali, Davao del Norte, 8106

Sir/Madam:

After having carefully read and accepted the project requirements, I/we submit our proposal for the item as follows:


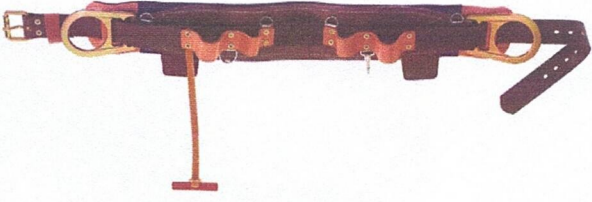
ITEM NO.	UNIT	ITEM/S DESCRIPTION	QTY	State of Compliance		Bidder's Offer		
				YES	NO	Brand Name, Model, and Other Remarks	Unit Price	Total Amount
1.	Set	Portable Welding Machine (Inverter), 300 amp, Power Voltage: 220V	4					
2.	Set	Angle Grinder, 750W, Size: 4" Disc Diameter	3					
3.	Set	Impact Hammer Drill, 800W, 2800RPM, 13mm Chuck Diameter	1					
4.	Set	Hand Drill 3/8", 350W – Power Tools	2					
5.	Set	Electric Wood Planer, 680W	2					
6.	Pcs	Claw Hammer with Steel Handle (20 oz)	10					
7.	Pcs	Crosscut Saw (20")	10					
8.	Pcs	Steel Tape (5m)	15					
9.	Pcs	Steel Tape (8m)	10					
10.	Pcs	Sledge Hammer (8 lbs) with Fiber Handle	2					
11.	Pcs	Riveter (Manual)	5					
12.	Pcs	Crow Bar (30 inch)	2					
13.	Pcs	Herbicide Sprayer (Manual)	3					
14.	Pcs	Triangular Cement Trowel (4"x6")	10					
15.	Pcs	Rectangular Plastering Cement Trowel	10					
16.	Pcs	Spade Shovel (All-Steel Handle)	6					
17.	Pcs	Bolo with Wood Handle (800g) (Slashing)	5					
18.	Pcs	Bolo; (18", 482 grams) (Likong)	5					
19.	Pcs	Rake with Pole Handle (12 teeth)	2					
20.	Pcs	Trash Bin with wheels (48x58x96cm)	2					
21.	Pcs	Broom Stick	60					
22.	Pcs	Pruning Shears/Garden Scissor, 22"	2					
23.	Pcs	Pickaxe (Piko), 1.5kg	2					
24.	Set	Tool Chest Set 6 layers – Assorted Automotive tools (with attached sample Photo for Reference)	1					





BUREAU OF CORRECTIONS
DAVAO PRISON AND PENAL FARM
 Braulio E. Dujali, Davao del Norte, 8106



25.	Pcs	Fiberglass Industrial Extension Ladder, 32 ft long (with attached sample photo for reference) 	1						
26.	Pcs	Lineman's Body Belt Waist size: 121.9cm to 102.6cm Overall Width: 1.7 kg Materials: Leather 	1						
									Total Offered:

Approved Budget of the Contract (ABC): PHILIPPINE PESO TWO HUNDRED SIXTY-TWO THOUSAND ONE HUNDRED SIXTY-FIVE ONLY (PHP 262,165.00)	Contract Period: 15 DAYS
---	---

Signature over Printed Name : _____

(Total) Amount offered in Words and Figures: _____

The above-quoted price is inclusive of all costs and applicable taxes.

Very truly yours,

Signature : _____
 Printed Name¹ : _____
 Date : _____
 Company Name : _____
 Contact Number : _____
 PHILGEPS Registration Number : _____
 TIN : _____

¹ Authorized Representative must submit a Secretary's Certificate for Corporation or Special Power of Attorney for Sole Proprietorship or Partnership stating s/he is authorized to sign, execute, deliver, all documents and amendments thereto, including but not limited to forms, statements, undertakings, declarations, and estimates necessary or relating to the Company's participation in the Project. Moreover, receive any and all notices, communication and information pertaining to the Project; and execute and perform any and all acts necessary or appropriate to submit the bid and participate in the Project, and to sign and execute the ensuing contract for the Project. Likewise, to discourage middleman, the authorized representative has to show proof of employment to the company s/he is representing for at least three (3) years.

